

Parts List

8124.390 Mega

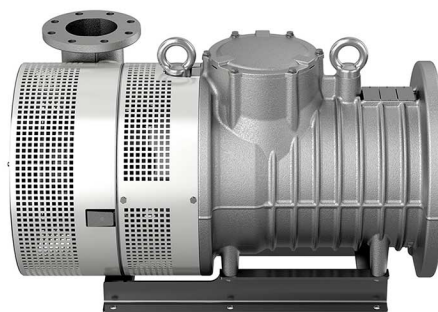


Table of Contents

1 Introduction.....	2
1.1 Specially approved products.....	2
2 Product Description.....	3
2.1 Products included.....	3
2.2 The data plate.....	3
3 Exploded View.....	4
3.1 Drive unit.....	4
3.2 Support bearing, labels and mechanical seals.....	5
3.3 Connection housing and cable entry.....	6
3.4 N.....	7
3.5 H.....	8
3.6 Stand.....	9
4 Spare Parts.....	10
4.1 List of parts.....	10

1 Introduction

Purpose of this manual

The purpose of this manual is to provide necessary information on spare parts and accessories order.

Disclaimer

Always use genuine Grindex parts. The use of other spare parts or accessories can invalidate any claims for warranty or compensation. Grindex does not take any responsibility for damages that are caused by the use of non-original parts. For more information, contact your local sales and service representative.

Data for ordering spare parts

The following information is needed for spare part orders:

- Serial number of the product
- Part number
- Quantity of bulk material, see * in tables

1.1 Specially approved products

Qualification of personnel

Only Grindex or Grindex-authorized service personnel may undertake repair work on Ex-approved products.

Dimensional accuracy inspection

Spare parts marked with (Ex) after the part number are subject to dimensional accuracy inspection when used in specially approved products.

2 Product Description

2.1 Products included

Pump model	Standard	EX	MSHA	Drainage	Sludge
Mega INOX 8124.390	X			X	

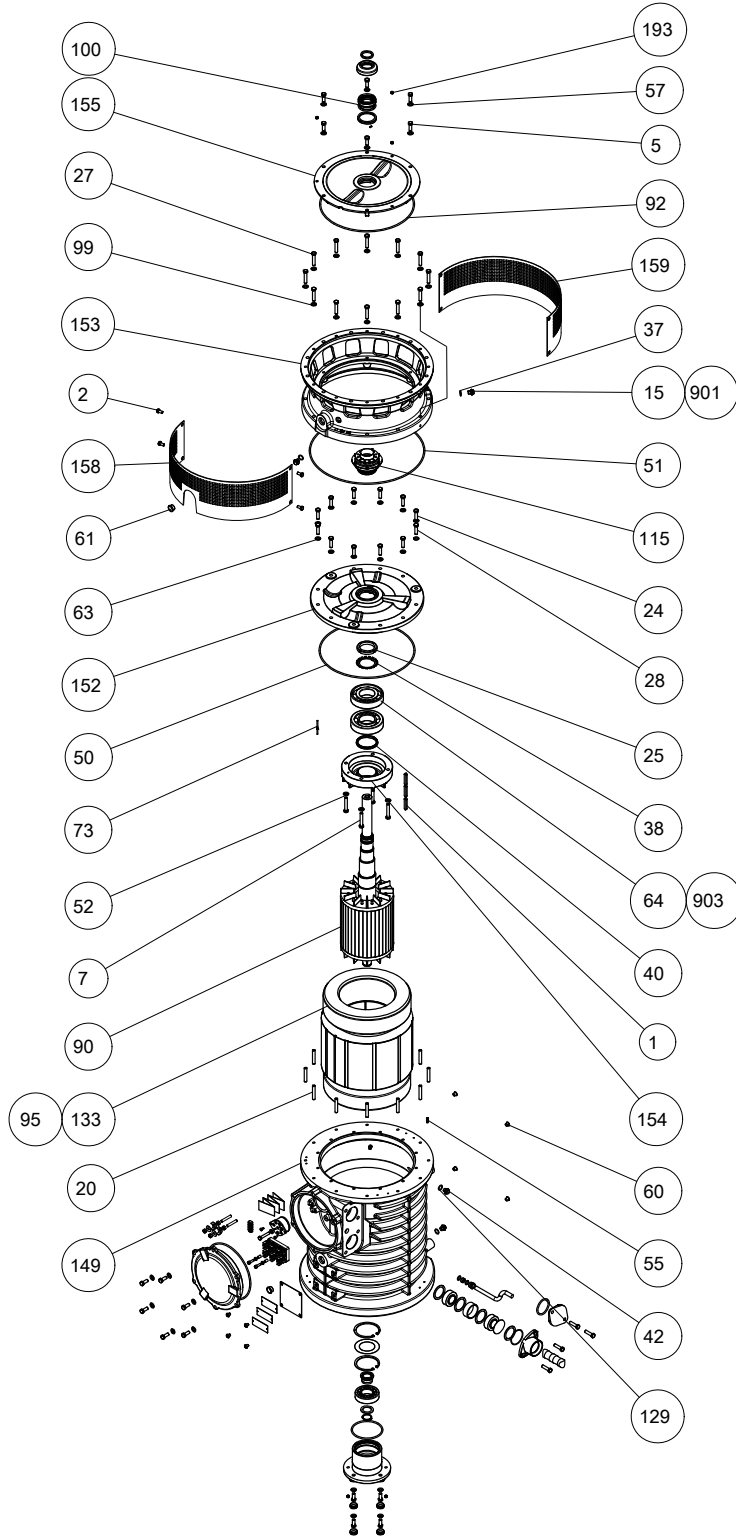
2.2 The data plate

Introduction

The data plate is a metal label located on the main body of the pump. The data plate lists key product specifications.

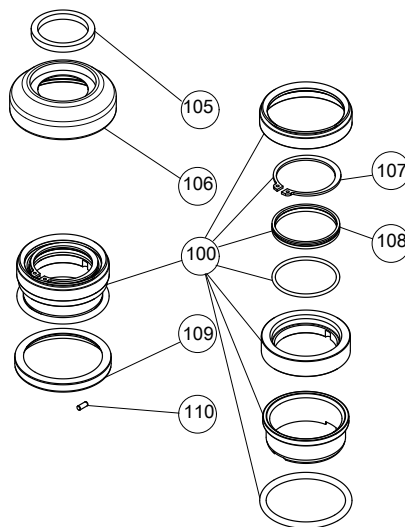
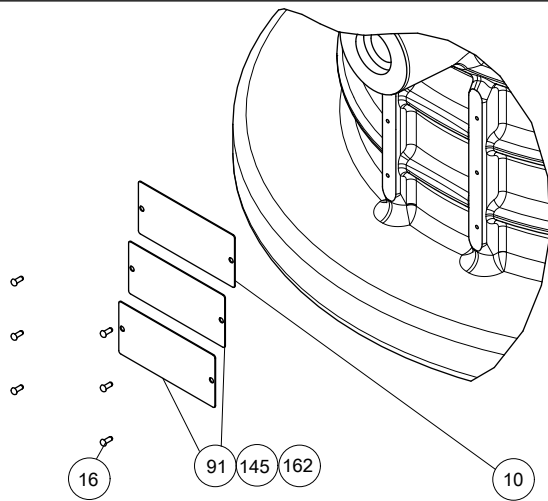
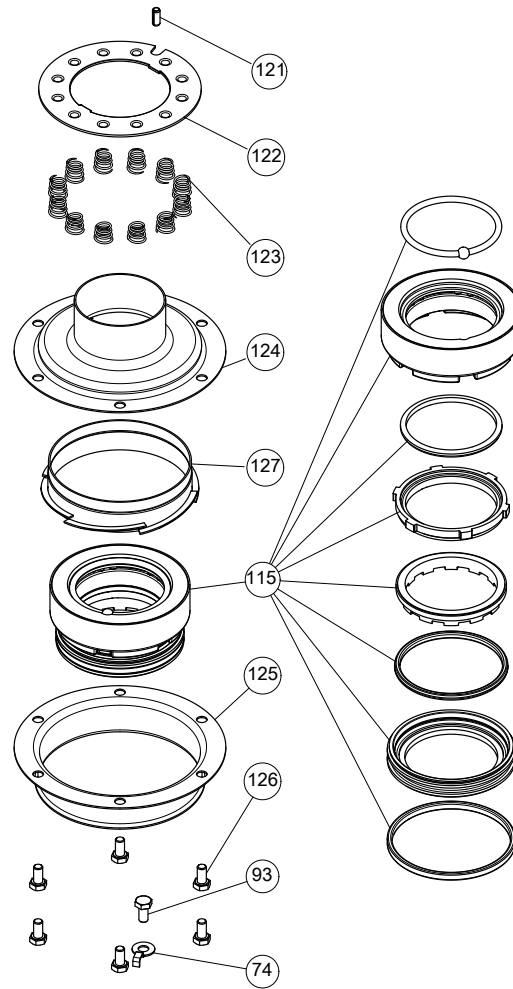
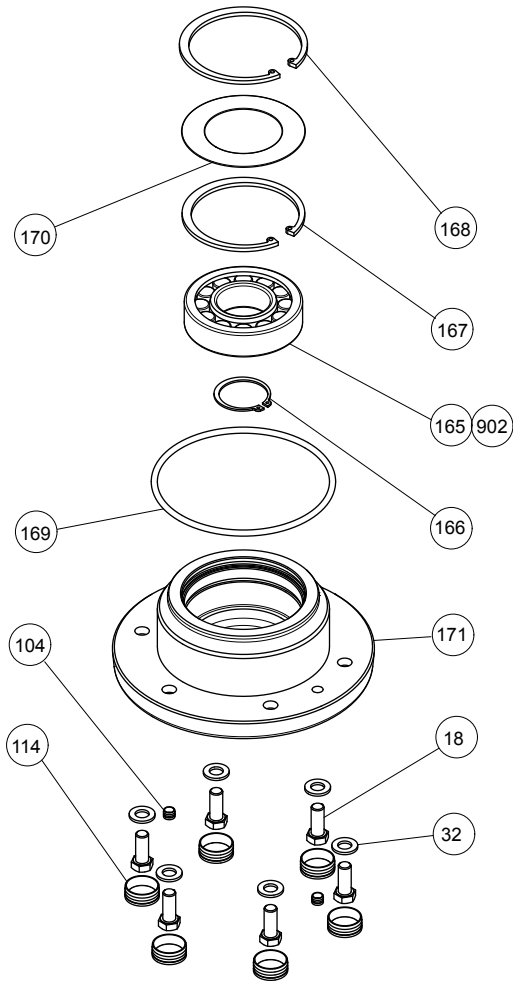
3 Exploded View

3.1 Drive unit



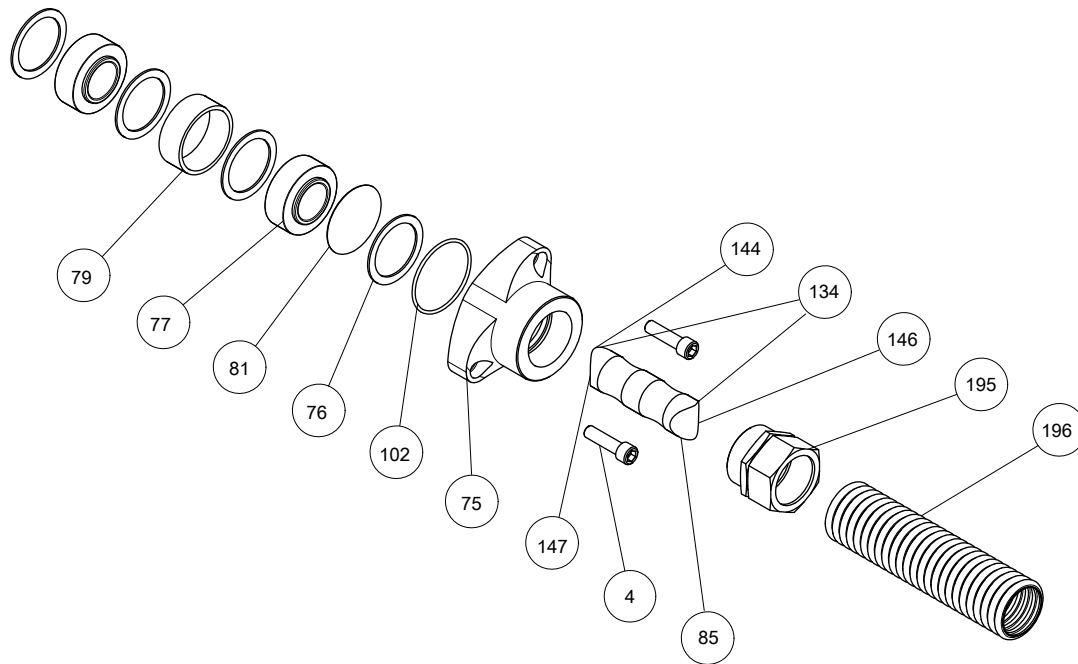
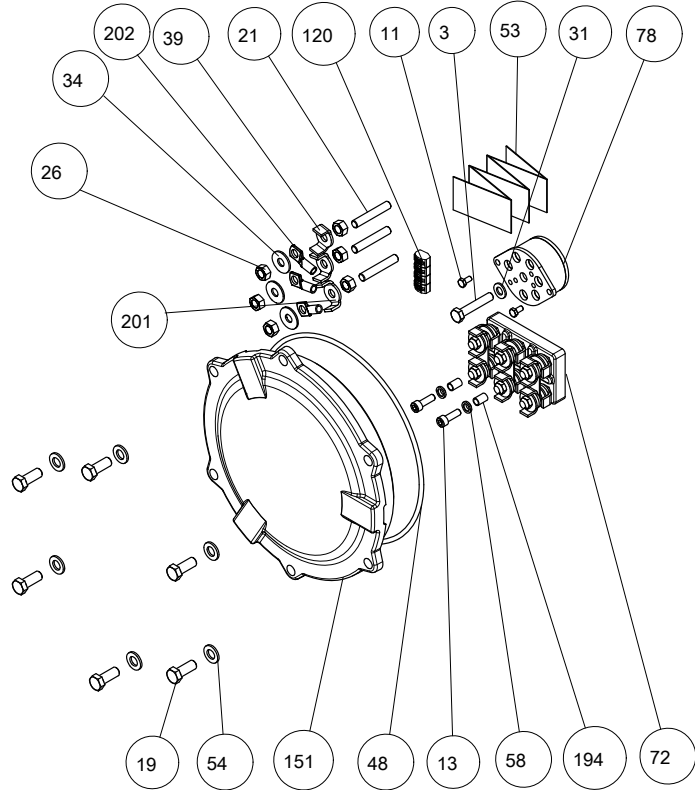
20188B

3.2 Support bearing, labels and mechanical seals



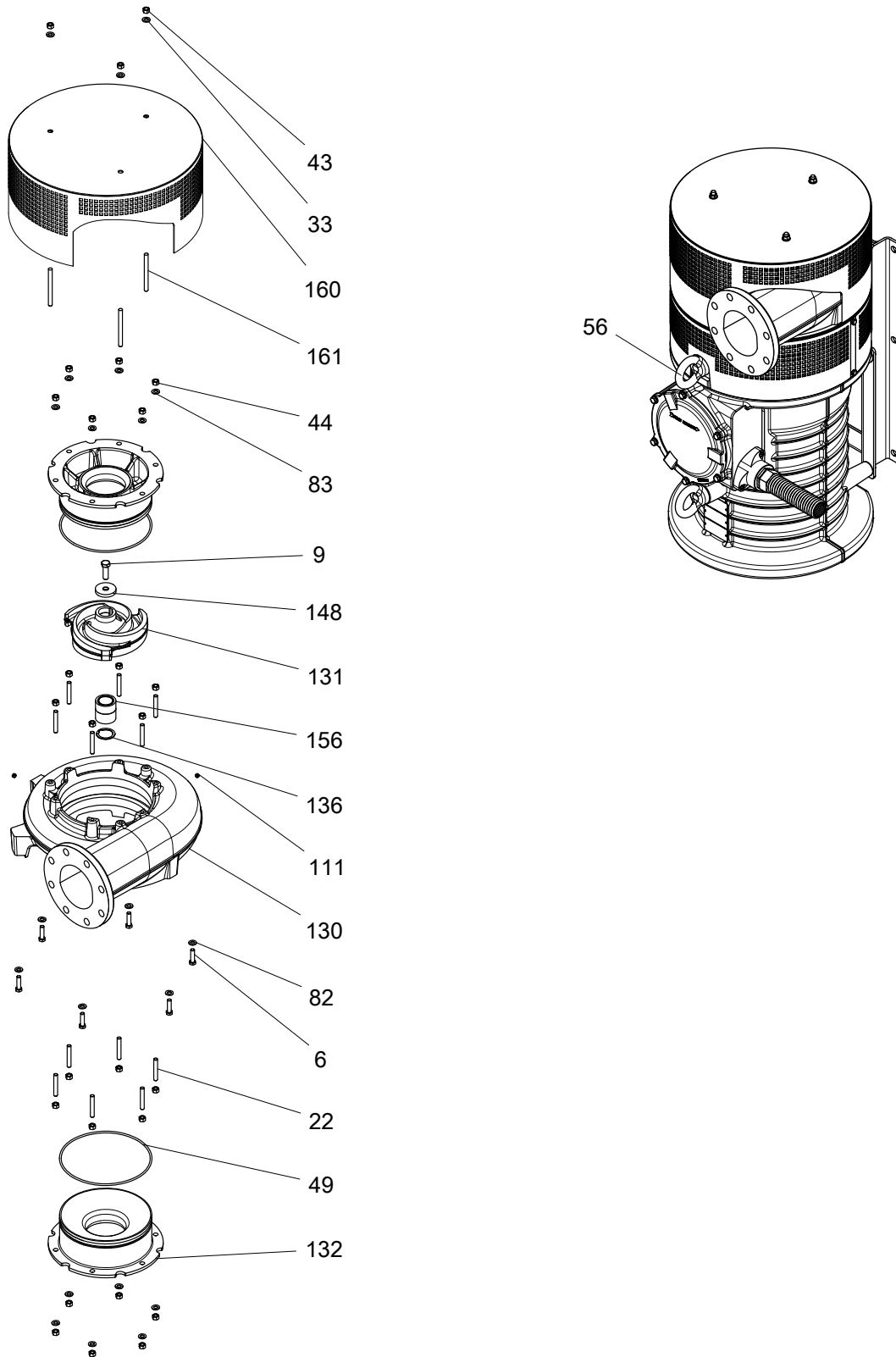
20263A

3.3 Connection housing and cable entry



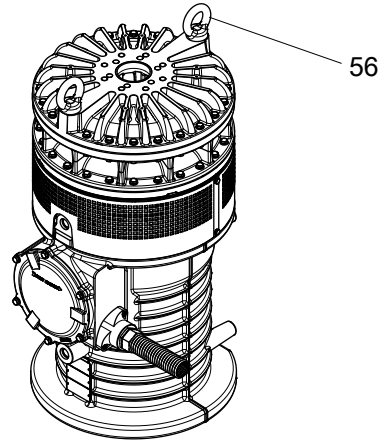
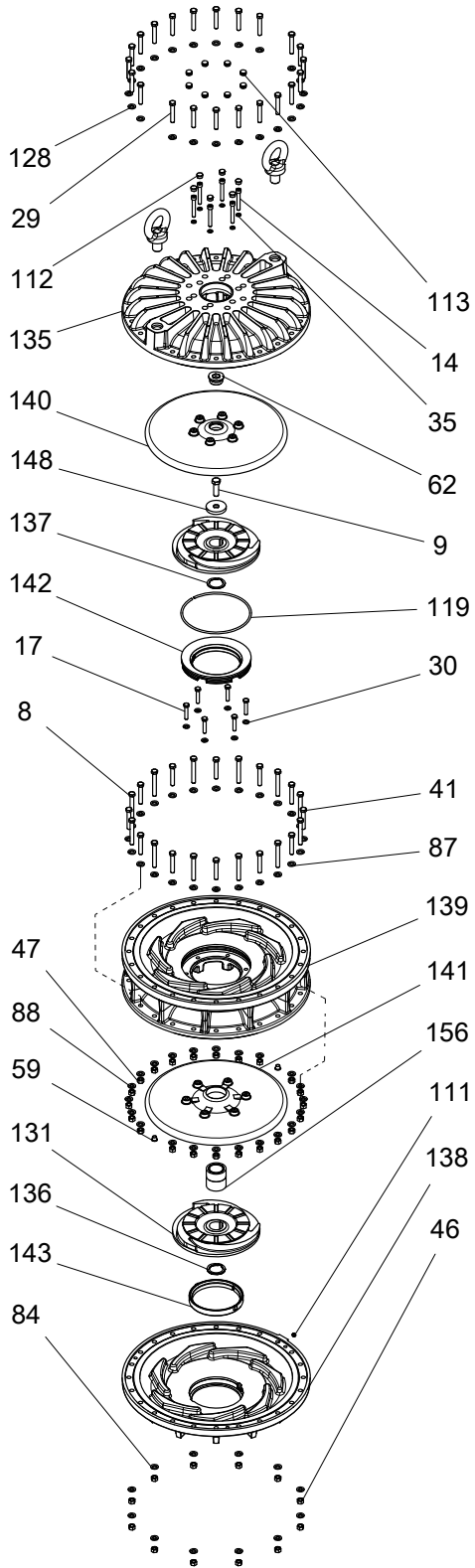
20264B

3.4 N



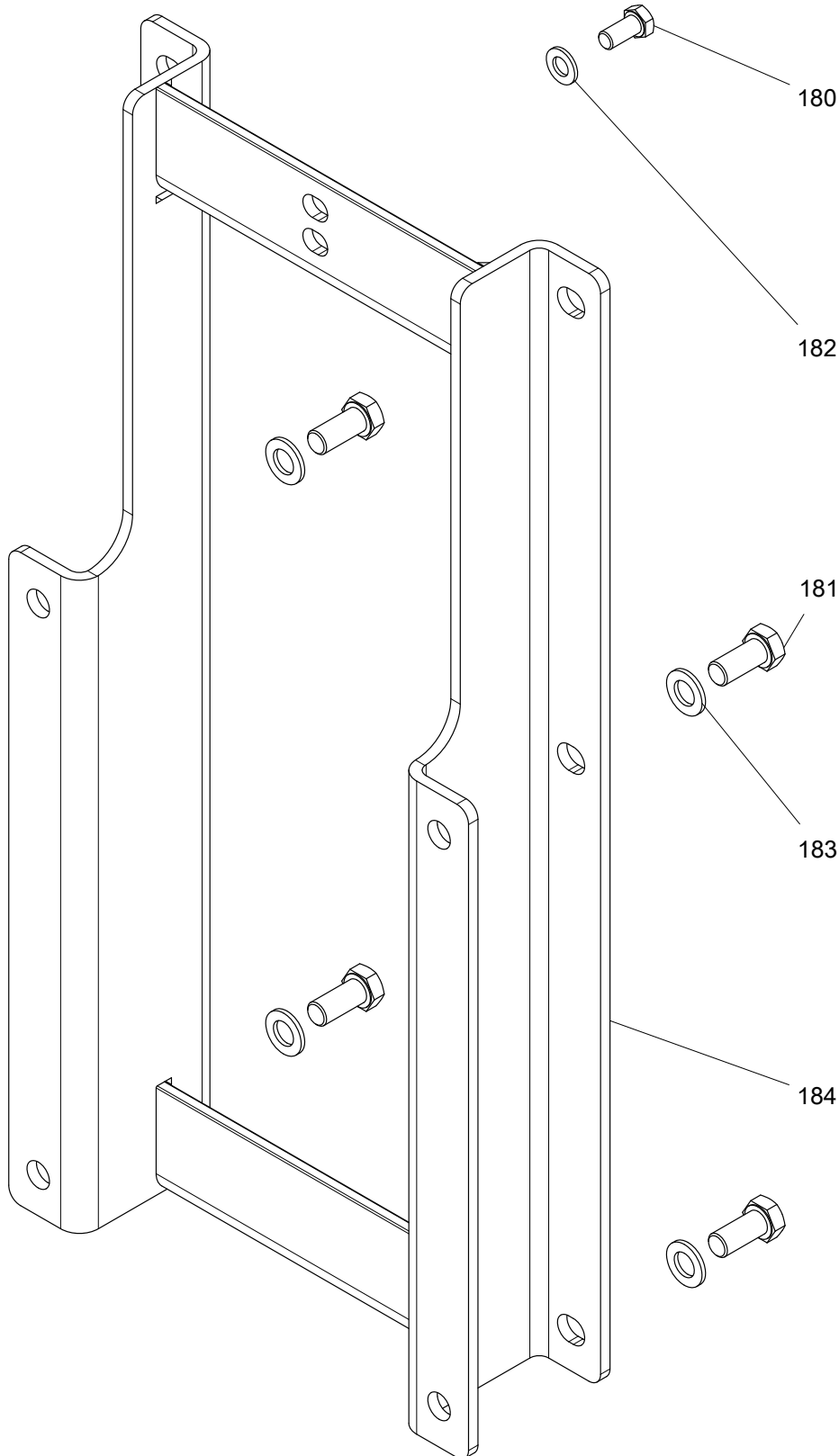
20265A

3.5 H



20266A

3.6 Stand



20195B

4 Spare Parts

4.1 List of parts

Pos. No	Part. No	Denomination	Qty/Version
			390
1	410 193	Parallel key 12X8X63-A4	2
2	410 195	Hexagon head screw M10X20-A4-70	4
3	410 196	Hexagon head screw M10X55-A2-70	1
4	410 726	Hex.socket hd screw M12X40-A4-70	No of cable entries: 1 2
4	410 726	Hex.socket hd screw M12X40-A4-70	No of cable entries: 2 4
5	411 035	Hexagon head screw M12X30-A4-70	6
6	410 071	Hexagon head screw M12X45-A4-70	6
7	410 198	Hexagon head screw M12X70-A2-70	4
8	411 036	Hexagon head screw M12X90-A4-70	12
9	410 200	Hexagon head screw M16X50-A4-70	1
10	50 888 00	Plate-blank	1
11	50 020 20	Hexagon head screw M6X12-A4-70	2
13	50 021 00	Hex.socket hd screw M8X25-A2-70	2
14	411 037	Hex.socket hd screw M10X70-A4-70	6
15	51 291 00	Inspection screw A4	2
16	410 445	Drive screw 4X8 A4	2
17	411 038	Hexagon head screw M10X55-A4-70	6
18	411 035	Hexagon head screw M12X30-A4-70	6
19	411 035	Hexagon head screw M12X30-A4-70	6
21	410 267	Stud 10X60-A2-70	3
22	410 268	Stud 12X80-A4-70	12
24	132 260	Hexagon head screw M12X45-A2-70	3
25	410 207	Round nut M70X2	1
26	50 022 22	Hexagon nut M10-A4-70	6

Pos. No	Part. No	Denomination	Qty/Version
			390
27	410 992	Hexagon head screw M12X60-A4-70	12
28	132 260	Hexagon head screw M12X45-A2-70	9
29	411 040	Hexagon head screw M12X70-A4-70	22
30	50 022 26	Plain washer 10-A4-170HV	6
32	410 210	Plain washer 12-A4-170HV	6
33	410 210	Plain washer 12-A4-170HV	3
35	410 544	Lock washer	6
37	410 487	O-ring 19.2X3 FPM	2
38	410 229	Lock washer	1
40	410 251	Seal ring FPM	1
41	411 040	Hexagon head screw M12X70-A4-70	12
42	51 291 00	Inspection screw A4	2
43	410 011	Hexagon nut M12-A4-70	3
44	410 011	Hexagon nut M12-A4-70	24
46	410 011	Hexagon nut M12-A4-70	12
47	410 011	Hexagon nut M12-A4-70	22
48	410 605	O-ring 269.3X5.7 FPM	1
49	410 507	O-ring 279.3X5.7 FPM	2
50	410 997	O-ring 419.3X5.7 FPM	1
51	410 998	O-ring 499.3X5.7 FPM	1
52	132 274	Plain washer 12-A2-170	4
53	51 675 01	Connection plate	1
54	410 210	Plain washer 12-A4-170HV	6
56	410 947	Lifting eye bolt M30 A4	2
57	410 210	Plain washer 12-A4-170HV	6
58	410 252	Seal washer	2
59	410 234	Protective plug	2
60	410 234	Protective plug	4
61	410 235	Protective plug	2
62	411 041	Plug A4	1
63	132 274	Plain washer 12-A2-170	12
64	410 250	Ball bearing	2
72	51 201 00	Terminal board unit	1
	72,1 410 208	Hexagon nut	12
	72,2 410 211	Plain washer 10.5X28X2	12
	72,3 410 245	Cable washer	12

Pos. No	Part. No	Denomination	Qty/Version
			390
72,4	410 247	Closing link	3
72,5	410 248	Connection term boar	1
73	51 255 00	Temperature sensor	1
74	51 264 01	Lock washer	1
75	51 472 02	Entrance flange	No of cable entries: 1 1
75	51 472 02	Entrance flange	No of cable entries: 2 2
76	410 220	Plain washer 46.5X70X2-A2-70	Cable (32)-35mm 4-8
76	411 039	Plain washer 54,5X70X2-A4-70	Cable (35)-38mm Cable (38)-41mm Cable (41)-44mm 4-8
76	410 702	Plain washer 46,5X70X2-A4-70	Cable (32)-35mm 8
76	410 223	Plain washer 54.5X70X2-A2-70	Power cable x 1 SUBCAB 3x50+2G35/2+S(2x0,5) 37,50 - 35mm Test cable 380V or greater Max 1000V 4
77	410 590	Seal sleeve	Cable (32)-35mm 2-4
77	410 593	Seal sleeve	Cable (41)-44mm 2-4
77	410 591	Seal sleeve	Cable (35)-38mm 2-4
77	410 592	Seal sleeve	Cable (38)-41mm 2-4
78	51 200 00	El-lead through 6X + 4X	6-leads 50 Hz 2-poles 500V-550V D P2=85kW 6-leads 60 Hz 2-poles 575V-600V D P2=95kW/ 127hp 6-leads 60 Hz 2-poles 380V D P2=95kW/127hp 6-leads 50 Hz 2-poles 380V-400V D 660V-690V Y P2=85kW 6-leads 60 Hz 2-poles 440V-460V D P2=95kW/ 127hp 6-leads 50 Hz 2-poles 400V-440V D P2=85kW 6-leads 60 Hz 2-poles 480V D P2=95kW/127hp 6-leads 60 Hz 2-poles 575V D P2=95kW/127hp 6-leads 50 Hz 2-poles 400V D P2=85kW 6-leads 60 Hz 2-poles 400V D P2=95kW/127hp 6-leads 50 Hz 2-poles 525V-550V D 1000V Y P2=85kW 1

Pos. No	Part. No	Denomination	Qty/Version
			390
78	51 250 00	El-lead through 9X + 4X	9-leads 50 Hz 2-poles 500V Y// 1000V YSER P2=85kW
79	51 488 01	Ring	Cable entry
81	51 249 00	Plate 70 MM	
82	410 210	Plain washer 12-A4-170HV	
83	410 210	Plain washer 12-A4-170HV	
84	410 210	Plain washer 12-A4-170HV	
85	410 855	Motor cable subcab 4G35+S(2X0,5)	35 - 37mm
85	410 856	Motor cable subcab 3X50+2G35/2+S(2X0,5)	35 - 37mm
85	410 857	Motor cable subcab 3X70+2G35/2+S(2X0.5)	38 - 41mm
85	410 355	Motor cable 1AWG/3-2-1- GC	SUBCAB 40,70 - 42,70mm
85	410 854	Motor cable subcab 4G25+S(2X0,5)	32 - 34mm
85	410 865	Motor cable subcab S3X35+3X16/3+S(4X0,5)	32 - 34mm
85	410 866	Motor cable subcab S3X50+3X25/3+S(4X0.5)	38 - 40mm
85	410 867	Motor cable subcab S3X70+3X35/3+2S(2X0.5)	42 - 44mm
87	410 210	Plain washer 12-A4-170HV	
88	410 210	Plain washer 12-A4-170HV	
90	51 937 09	Shaft unit A4	
92	410 997	O-ring 419.3X5.7 FPM	
93	50 020 20	Hexagon head screw M6X12-A4-70	
95	51 262 00	Stator 42-26-2f	6-leads 60 Hz 2-poles 380V D P2=95kW/127hp
95	51 262 10	Stator 42-26-2f	12-leads 60 Hz 2-poles 460V DSER 380V Y// P2=95kW/127hp
95	51 262 01	Stator 42-26-2f	6-leads 50 Hz 2-poles 380V-400V D 660V-690V Y P2=85kW 6-leads 60 Hz 2-poles 440V-460V D P2=95kW/127hp
95	51 262 02	Stator 42-26-2f	6-leads 50 Hz 2-poles 400V D P2=85kW 6-leads 60 Hz 2-poles 400V D P2=95kW/127hp

Pos. No	Part. No	Denomination	Qty/Version
			390
95	51 262 03	Stator 42-26-2f 6-leads 50 Hz 2-poles 400V-440V D P2=85kW 6-leads 60 Hz 2-poles 480V D P2=95kW/127hp	1
95	51 262 04	Stator 42-26-2f 6-leads 60 Hz 2-poles 575V D P2=95kW/127hp	1
95	51 262 05	Stator 42-26-2f 6-leads 50 Hz 2-poles 500V-550V D P2=85kW 6-leads 60 Hz 2-poles 575V-600V D P2=95kW/ 127hp	1
95	51 262 06	Stator 42-26-2f 6-leads 50 Hz 2-poles 525V-550V D 1000V Y P2=85kW	1
95	51 262 07	Stator 42-26-2f 9-leads 50 Hz 2-poles 500V Y// 1000V YSER P2=85kW	1
99	410 210	Plain washer 12-A4-170HV	12
100	51 232 01	Mechanical seal WCCR/ WCCR	1
100	51 232 02	Mechanical seal RSIC/RSIC	1
102	410 572	O-ring 69.5X3 FPM	Cable entry 1-2
104	410 937	Plug	2
105	51 263 01	Plain washer A4	1
106	51 245 02	Protective casing NBR-A4	1
109	-	Wear protect.compl. FPM- A4	1
110	410 189	Parallel pin CP- H8-4X10-1650	1
111	410 937	Plug	Stand Stator housing 1-2
112	410 939	Protective plug M20	6
113	410 939	Protective plug M20	H Drilled acc. to: EN 1092-2 tab. 11 8
113	410 940	Protective plug M20	H Drilled acc. to: ASME B 16.5-1996;tab.11 8
114	410 942	Protective plug M33	6
115	50 395 03	Mechanical seal	1
119	51 833 00	Spring ring, solid	1
120	410 916	Terminal block	4
121	410 192	Tension pin	1
122	51 223 00	Washer	1
123	50 368 00	Compression spring	12
124	51 222 00	Flange compl.	1
125	51 227 00	Flange	1

Pos. No	Part. No	Denomination	Qty/Version	
			390	
126	50 020 20	Hexagon head screw M6X12-A4-70	6	
127	51 224 00	Impeller unit	1	
128	410 210	Plain washer 12-A4-170HV	22	
129	410 487	O-ring 19.2X3 FPM	2	
130	51 210 00	Pump housing A4	N DN 150 Strainer Hydraulic end: stainless steel	1
130	51 210 01	Pump housing A4	N DN 150 Strainer Hydraulic end: stainless steel Drilled acc. to: EN 1092-2 tab. 9 ASME B 16.5-1996;tab.8	1
131	51 934 08	Impeller	N 50Hz Stainless steel Curve code: 251	1
131	51 934 09	Impeller	N 60Hz Stainless steel Curve code: 252	1
131	51 933 02	Impeller	H 50Hz Stainless steel Curve code: 263	2
131	51 933 11	Impeller	H 60Hz Stainless steel Curve code: 264	2
132	51 226 00	Suction cover uncoat A4		2
133	50 221 07	End sleeve 25 MM2; L=15 MM	6-leads 50 Hz 2-poles 500V-550V D P2=85kW 6-leads 60 Hz 2-poles 575V-600V D P2=95kW/ 127hp 6-leads 60 Hz 2-poles 380V D P2=95kW/127hp 12-leads 60 Hz 2-poles 460V DSER 380V Y// P2=95kW/127hp 6-leads 50 Hz 2-poles 380V-400V D 660V-690V Y P2=85kW 6-leads 60 Hz 2-poles 440V-460V D P2=95kW/ 127hp 6-leads 50 Hz 2-poles 400V-440V D P2=85kW 6-leads 60 Hz 2-poles 480V D P2=95kW/127hp 6-leads 60 Hz 2-poles 575V D P2=95kW/127hp 6-leads 50 Hz 2-poles 400V D P2=85kW 6-leads 60 Hz 2-poles 400V D P2=95kW/127hp	6-12

Pos. No	Part. No	Denomination	Qty/Version
			390
133	50 221 06	End sleeve 16 MM2; L=12 MM 9-leads 50 Hz 2-poles 500V Y// 1000V YSER P2=85kW 6-leads 50 Hz 2-poles 525V-550V D 1000V Y P2=85kW	6-9
134	51 438 00	Plate SENSOR CONNECTED T1-T2	2
135	51 243 06	Diffuser coat. NBR-A4 H Drilled acc. to: EN 1092-2 tab. 11	1
135	51 243 07	Diffuser coat. NBR-A4 H Drilled acc. to: ASME B 16.5-1996;tab.11	1
136	50 174 05	Adjusting washer 0.5 MM A4	2
136	50 174 05	Adjusting washer 0.5 MM A4	5
136	50 174 06	Adjusting washer 0.3 MM A4	3
137	50 174 05	Adjusting washer 0.5 MM A4	2
137	50 174 06	Adjusting washer 0.3 MM A4	2
138	51 220 03	Diffuser coat. NBR-A4	1
139	51 738 02	Diffuser coat. NBR-A4	1
140	51 246 02	Diffuser disc coated NBR-A4	1
141	51 247 02	Diffuser disc coated NBR-A4	1
142	51 242 07	Wear ring NBR-A4	1
143	51 221 02	Wear ring NBR-A4	1
144	411 026	Cap 10X20 PVC	1-2
144	410 875	Cap 6X16 PVC	1
144	411 043	Cap 8X16 PVC	2
144	411 044	Cap 11X25 PVC	1
144	410 876	Cap 7X16 PVC	1
146	411 015	Cap 35X45 PVC	1-2
146	411 027	Cap 38X45 PVC	1
146	411 028	Cap 42X45 PVC	1-2
146	411 008	Cap 32X45 PVC	2
147	410 943	Cable lug	1
148	51 939 00	Plain washer A4	1
149	51 932 00	Stator housing A4 cable entries: 1	1
149	51 932 01	Stator housing A4 cable entries: 2	1
151	51 935 04	Cover A4	1
152	51 216 00	Bearing housing low.	1
153	51 273 01	Oil housing A4	1

Pos. No	Part. No	Denomination	Qty/Version
			390
154	51 217 00	Bearing cover	1
155	51 218 02	Diffuser coat. NBR-A4	1
156	51 230 00	Sleeve A4	1
158	51 274 02	Strainer A4	1
159	51 275 02	Strainer A4	1
160	51 211 02	Strainer A4	1
161	410 269	Stud 12X140-A4-70	3
162	50 898 00	Marking tape	1
165	410 225	Roller bearing	1
166	-	Retaining ring SGA 48	1
167	130 995	Retaining ring SGH 110	1
168	410 231	Retaining ring SGH 115	1
169	50 037 22	O-ring 159.3X5.7 FPM	1
170	51 253 00	Washer	1
171	51 931 00	Bearing holder A4	1
180	411 030	Hexagon head screw M12X25-A4-70	1
181	411 031	Hexagon head screw M16X35-A4-70	4
182	410 210	Plain washer 12-A4-170HV	1
183	410 188	Plain washer 16-A4-A-170	4
184	51 936 02	Stand compl. A4	1
193	410 937	Plug	3
194	51 916 00	Sleeve	2
195	51 490 00	Gland screw	1
195	51 490 00	Gland screw	2
195	850 289	Mounting instruction	1
195	411 029	Hose coupling	1
196	411 032	Metal hose	*
201	411 007	Cable lug D10, 35 MM2	1-2
201	411 033	Cable lug D10, 16MM2	1-2
201	411 042	Cable lug D10, 25MM2	1-2
800	51 192 04	O-ring kit FPM	1
800,37	410 487	O-ring 19.2X3 FPM	2
800,45	410 243	O-ring	1
800,48	410 605	O-ring 269.3X5.7 FPM	1
800,49	410 507	O-ring 279.3X5.7 FPM	2
800,50	410 997	O-ring 419.3X5.7 FPM	1
800,51	410 998	O-ring 499.3X5.7 FPM	1

Pos. No	Part. No	Denomination	Qty/Version
			390
800,69	410 999	O-ring 229.3X5.7 FPM	1
800,92	410 997	O-ring 419.3X5.7 FPM	1
800,102	410 243	O-ring	1
800,102	410 572	O-ring 69.5X3 FPM	2
800,129	410 487	O-ring 19.2X3 FPM	2
800,169	411 000	O-ring 134.3X5.7 FPM	1
800,169	50 037 22	O-ring 159.3X5.7 FPM	1
800,950	850 022	Mounting instruction	1
900	51 940 02	Basic repair kit FPM, WCCR- WCCR	1
900	51 940 06	Basic repair kit FPM, WCCR- RSIC	1
901	410 053	Oil ISO VG 32	*
902	411 034	Grease	*
903	411 034	Grease	*