

## Robot Pumps RW2120BE 464.00

1	1	55-700-193-RZ	Motor housing	mh135 Ex	-	1999	AISI 316
3	1	55-702-259-WU	Stator with thermo switches	2.6 kW-2	-	020-2070100B	
4	1	55-703-432-RZ	Rotor	2.6 kW-2	-	030-3070100B	AISI 316/420
5	1	55-750-108	Ball bearing	6304 2RSH /C3 GJN	-		
6	1	55-750-005	Ball bearing	6305 2RS C3	-		
10	1	55-704-183-RZ	Seal housing	RW21- R/ER/PR	-	2000	AISI 316
12	1	55-706-328	Mechanical seal	Ø25	-		Carbon/AIOx/NBR
13	1	55-706-330	Mechanical seal	Ø20	-		Silcarb/Silcarb/FPM
15	1	55-707-172-RZ	Bearing housing	Ø 90 EX/FM	-	2001	AISI 316
20	1	55-709-239-RZ	Connection box	1x G7/8"	-	2002	AISI 316
21	1	55-709-240-RZ	Connection box cover		-	2003	AISI 316
25	1	55-717-060	Line bushing	6x2.5mm2-M42x1.5	-		
55	1	55-709-278	Bearing cup	52	-		Nylon
56	1	55-713-210-RZ	Data plate	Robot Pumps	-		AISI 316
59	1	55-751-004	O-ring	52.39x 3.53	-		NBR
60	1	55-751-166	O-ring	61.91x 3.53	-		FPM
61	1	55-751-164	O-ring	146x 4.00	-		FPM
62	1	55-751-163	O-ring	152x 3.53	-		FPM
63	1	55-751-165	O-ring	114x 4.00	-		FPM
64	1	55-751-165	O-ring	114x 4.00	-		FPM
66	1	55-752-002	Circlip	A 20x1.2	471		spring steel
67	1	55-752-007	Circlip	A 25x1.2	471		spring steel
70	1	55-717-055	Grounding clamp	M5	-		AISI 304
71	1	55-753-176	Hexagon tap bolt	M 8x 16	933		AISI 316
73	2	55-754-100	Hexagon socket screw	M 8x 16	912		AISI 316
75	4	55-754-174	Hexagon socket screw	M 8x 50	912		AISI 316
76	4	55-754-175	Hexagon socket screw	M 8x 80	912		AISI 316
83	1	55-756-130	Key	5x 5x20	6885A		AISI 316
84	1	55-756-127	Seal ring	(M 8)	-		PTFE
85	2	55-756-127	Seal ring	(M 8)	-		PTFE
87	8	55-757-076	Data plate rivet	2.9x6.5	-		AISI 316
90	4	55-758-089	Lock washer	(M 8)	127a		AISI 316
92	4	55-758-089	Lock washer	(M 8)	127a		AISI 316
96	1	55-906-069	Oil	Marcol 152	-		
101	1	55-701-144-RZ	Pump casing	RW20-VR/RW2120- R	-	1901R	AISI 316
118	1	55-760-133	Gasket	Ø190xØ171x2	-		FPM
124	4	55-754-202	Hexagon socket screw	M 8x 60	912		AISI 316
140	1	55-708-397-RZ	Impeller	160 RW2110/20	-	2219	AISI 316
141	1	55-713-226-RU	Impeller hubcap	ø30xø9x4	-	713-226	AISI 329
145	1	55-754-117	Hex. sock. screw counter sunk.	M 8x 18	Spec		AISI 316

### Supplement installation -F and -T

203	1	55-912-054	Shackle	10mm	-		AISI 316
210	1	55-712-201-RZ	Hose connection	3"-90gr.	-	2297	AISI 316
210	(1)	55-712-203-RZ	Thread connection	G 3"- 90gr.Bu	-		AISI 316
211	4	55-753-243	Hexagon-head bolt	M10x 40	931		AISI 316
213	4	55-755-097	Nut	M10	934		AISI 316
214	4	55-758-101	Washer	(M10)	125		AISI 316
218	1	55-761-062	Gasket	Ø108xØ 75x2	-		FPM
230	1	55-711-166-RZ	Support ring	RW-R	-		AISI 316
231	3	55-754-165	Hexagon socket screw	M 8x 20	912		AISI 316
232	3	55-758-098	Washer	(M 8) Ø20xØ8.4x3	-		AISI 316

### Supplement installation -H

203	1	55-912-054	Shackle	10mm	-		AISI 316
210	1	55-712-201-RZ	Hose connection	3"-90gr.	-	2297	AISI 316
211	4	55-753-243	Hexagon-head bolt	M10x 40	931		AISI 316

213	4	55-755-097	Nut	M10	934	AISI 316
214	4	55-758-101	Washer	(M10)	125	AISI 316
218	1	55-761-062	Gasket	Ø108xØ 75x2	-	FPM

#### Supplement installation -V

203	1	55-912-054	Shackle	10mm	-	AISI 316
211	4	55-753-215	Hexagon-head bolt	M10x 45	931	AISI 316
213	4	55-755-097	Nut	M10	934	AISI 316
214	4	55-758-101	Washer	(M10)	125	AISI 316
218	1	55-761-062	Gasket	Ø108xØ 75x2	-	FPM

#### Cable list DOL 220 - 500V with 3 aux. leaders or YD 220 - 500V 50Hz

35	1	55-709-074	Cable	7x2.5mm2 Ø18.0-Ø21.0	-	Protomont
36	1	55-709-316-RZ	Cable entry	G 7/8"-G1"	-	2101 AISI 316
37	1	55-709-318-RZ	Clamp	Ø18-21	-	2103 AISI 316
38	1	55-709-030	Cable sleeve	27.5x19x23	-	CR
39	2	55-709-268	Pressing ring	27.5x22x4	-	AISI 316
45	2	55-754-085	Hexagon socket screw	M 6x 16	912	AISI 316
46	2	55-758-088	Lock washer	(M 6)	127a	AISI 316
48	6	55-759-007	Cable connector	(2.5mm2)	-	

#### Cable list YD 220 - 500V with 3 aux. leaders 50Hz

35	1	55-709-340	Cable	10x1.5mm2-Ø18.5- Ø21.0	-	Protomont
36	1	55-709-316-RZ	Cable entry	G 7/8"-G1"	-	2101 AISI 316
37	1	55-709-318-RZ	Clamp	Ø18-21	-	2103 AISI 316
38	1	55-709-030	Cable sleeve	27.5x19x23	-	CR
39	2	55-709-235	Pressing ring	27.5x19.5x4	-	AISI 316
45	2	55-754-085	Hexagon socket screw	M 6x 16	912	AISI 316
46	2	55-758-088	Lock washer	(M 6)	127a	AISI 316
48	9	55-759-007	Cable connector	(2.5mm2)	-	

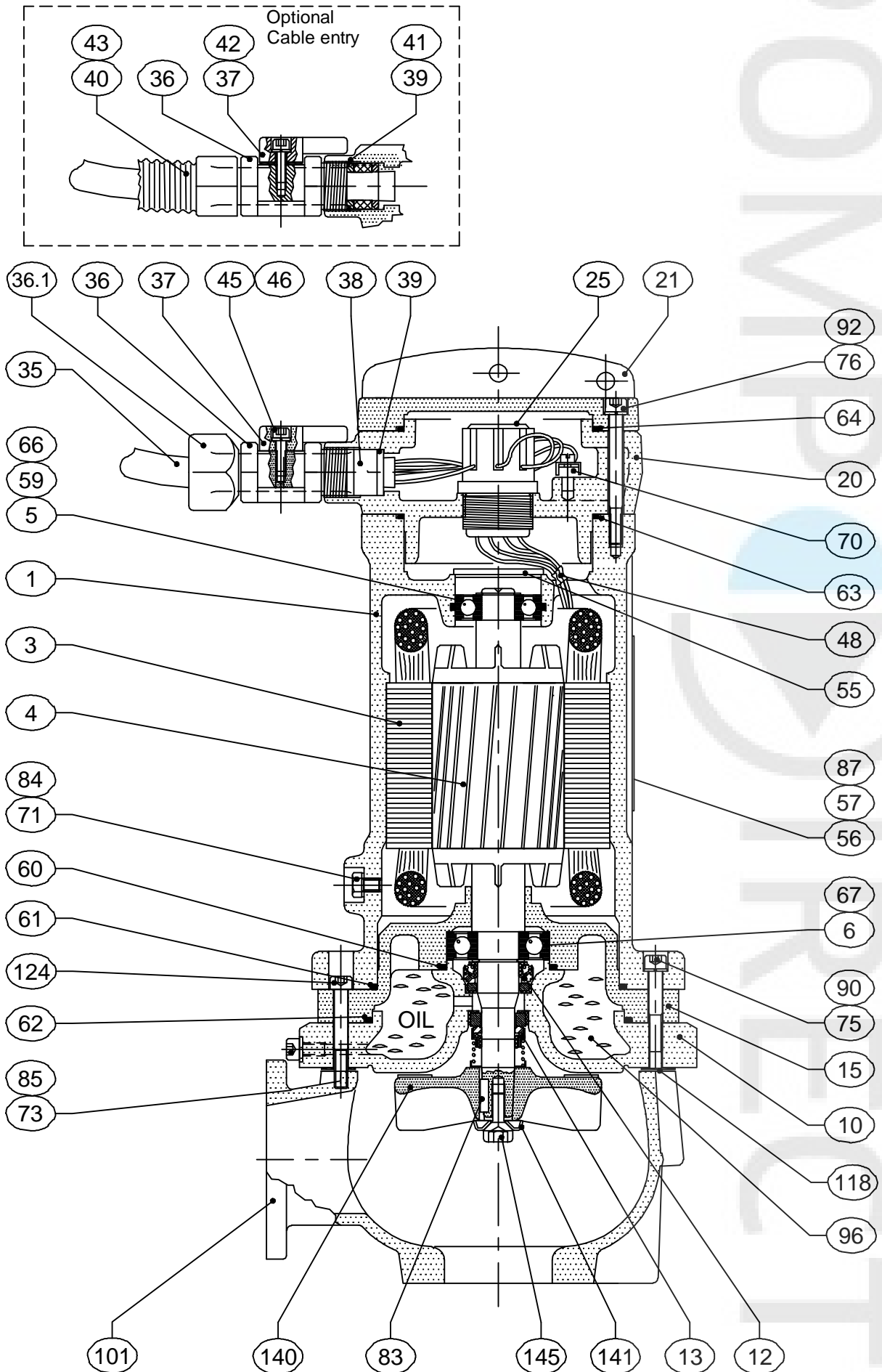
#### Option: cable protection sleeve (AISI 316)

40	1	55-709-270	Cable hose	Ø25 l=3 m	-	AISI 316
40	(1)	55-709-314	Cable hose	Ø25 l=5 m	-	AISI 316
40	(1)	55-709-348	Cable hose	Ø25 l=10 m	-	AISI 316
41	1	55-751-145	O-ring	25.07x 2.62	-	FPM
42	1	55-760-145	Gasket	Ø 23xØ 19x2	-	Teflon
43	1	55-709-301	Seal ring	30x22x2	-	PTFE

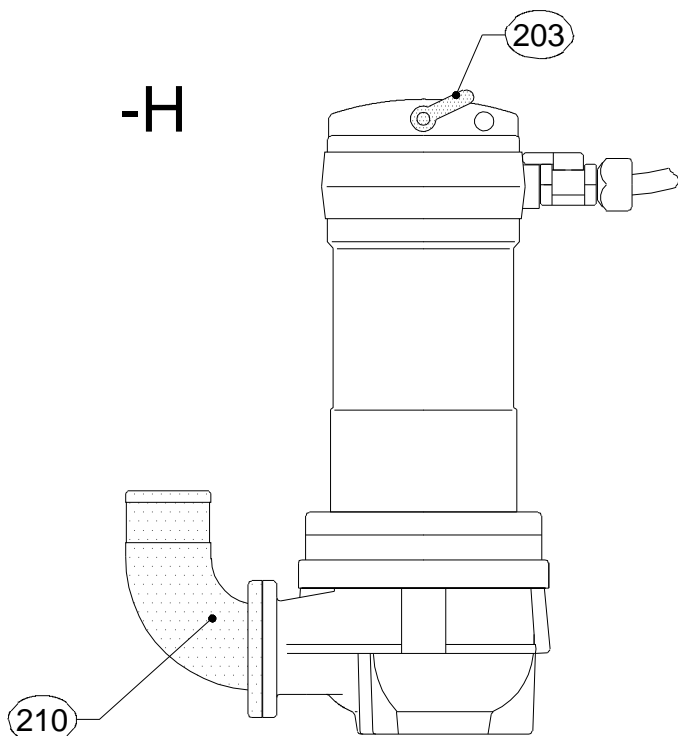
#### Option: Kalrez pumpseal

10	1	55-704-204-RZ	Seal housing	RW21- R/ER	-	2000 AISI 316
13	1	55-706-320	Mechanical seal	Ø20	-	SiC/SiC/Kalrez
61	1	55-751-164-te	O-ring	146x4	-	Teflex
62	1	55-751-163-te	O-ring	152x3.53	-	Teflex
63	1	55-751-165-te	O-ring	114x4	-	Teflex
64	1	55-751-165-te	O-ring	114x4	-	Teflex

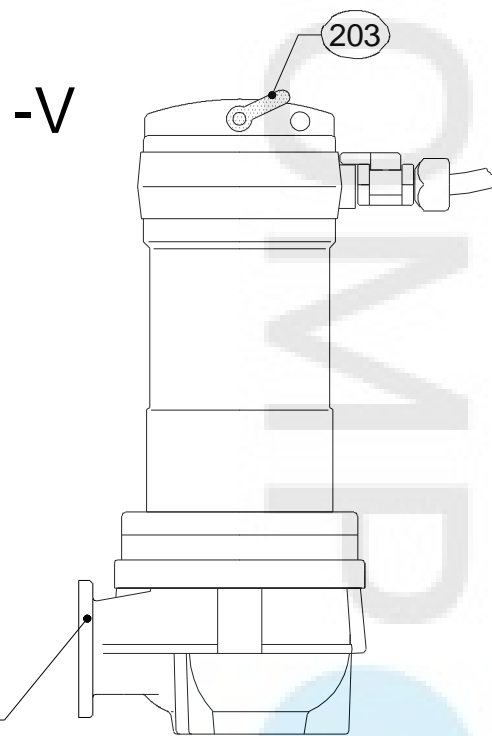
# Parts list drawing



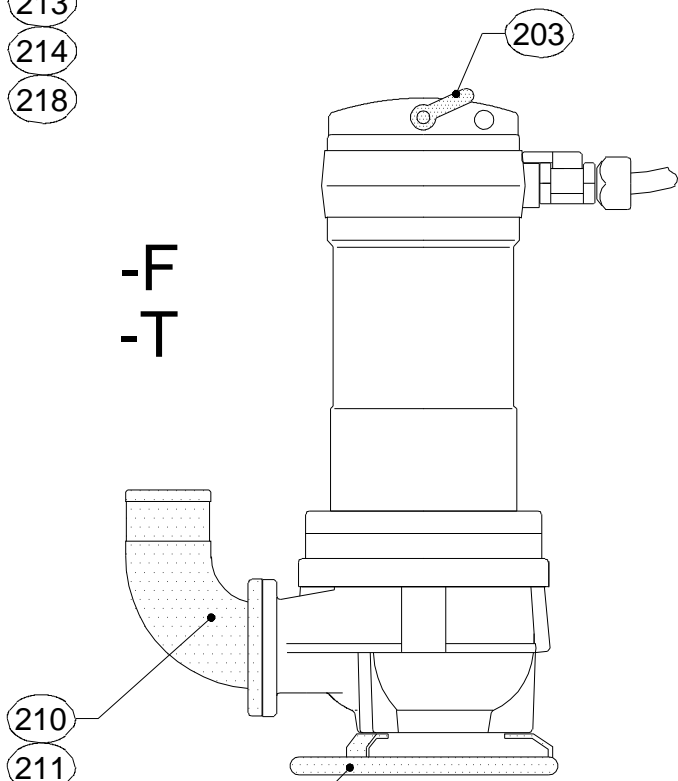
# Parts list drawing



- 210
- 211
- 213
- 214
- 218



- 211
- 213
- 214
- 218



- 210
- 211
- 213
- 214
- 218

- 230
- 231
- 232

