

Robot Pumps RW6111JL 663.00

1	1	55-700-210-GG	Motor housing	mh300	-	1948A	GG 25
3	1	55-702-344-BE	Stator with thermo switches	48 kW-2	-	020-2170280J	
3	(1)	55-702-344-DE	Stator with thermo switches	48 kW-2	-	020-2170280J	
4	1	55-703-344-RM	Rotor	48 kW-2	-	030-3170280J	AISI 431
5	1	55-750-107	Ball bearing	6308 RS1/ C3 GJN	-		
6	1	55-750-116	Ball bearing	6311-2Z	-		
10	1	55-704-153-GG	Seal housing		-	1950	GG 25
11	1	55-704-156-NI	Membrane	RW/RT60	-		NBR
12	1	55-706-301	Mechanical seal	Ø50	-		Carb/ceramic/NBR
13	1	55-706-300	Mechanical seal	Ø50	-		SiC/ceramic/NBR
15	1	55-707-186-GG	Bearing housing	Ø120	-	2094	GG 25
16	1	55-707-179-GG	Bearing housing cover		-	2062	GG 25
17	1	55-707-177-GG	Bearing housing cover		-	2035	GG 25
18	1	55-707-206-GG	Bearing hub	Ø90	-	2156	GG 25
20	1	55-709-307-GG	Connection box	2x M42+R7/8"	-	2095	GG 25
56	1	55-713-210-RZ	Data plate	Robot Pumps	-		AISI 316
60	1	55-751-018	O-ring	120.24x 3.53	-		NBR
61	1	55-751-151	O-ring	297.8x 6.99	-		NBR
62	1	55-751-169	O-ring	280x 5.00	-		NBR
63	1	55-751-200	O-ring	125x 4.00	-		NBR
66	1	55-752-005	Circlip	A 40x1.75	471		spring steel
67	1	55-752-011	Circlip	A 55x2	471		spring steel
68	1	55-752-006	Circlip	A 50x2	471		spring steel
70	1	55-753-025	Stud bolt	M 8x 12	939		AISI 304
71.1	1	55-754-028	Hexagon socket screw	M 8x 16	912		AISI 304
71.2	1	55-754-028	Hexagon socket screw	M 8x 16	912		AISI 304
73	2	55-754-092	Hexagon socket screw	M10x 20	912		AISI 304
73	1	55-709-060	Plug	M20x 1 1/2	-		CuZn 40
74	8	55-754-029	Hexagon socket screw	M 8x 25	912		AISI 304
75	4	55-754-099	Hexagon socket screw	M12x 30	912		AISI 304
75.1	4	55-758-074	Lock washer	(M12)	127a		AISI 304
76	4	55-754-201	Hexagon socket screw	M10x 80	912		AISI 304
77	4	55-754-092	Hexagon socket screw	M10x 20	912		AISI 304
78	6	55-754-027	Hexagon socket screw	M10x 25	912		AISI 304
79	4	55-756-045	Grub screw	M12x16	916a		AISI 304
81	1	55-755-033	Nut	M 8	934		AISI 316
83	1	55-756-125	Key	10x 8x30	6885A		AISI 316
84.1	1	55-756-028	Dubo ring	M 8 type 303	-		PA 6.6
84.2	1	55-756-028	Dubo ring	M 8 type 303	-		PA 6.6
85	2	55-756-027	Dubo ring	M10 type 305	-		PA 6.6
85	1	55-713-181	Seal ring	A 20x24x1.5	-		Cu
87	8	55-757-076	Data plate rivet	2.9x6.5	-		AISI 316
89	1	55-758-077	Lock washer	(M 8)	127a		AISI 304
90	4	55-758-074	Lock washer	(M12)	127a		AISI 304
94	2	55-759-070	Cable lug	M 8 (16mm2)	-		
95	1	55-906-068	Hose clamp	110-130 mm	-		RVS
96	1	55-906-069	Oil	Marcol 152	-		
101	1	55-701-234-GG	Pump casing	RW6111-V/C/A	-	2176	GG 25
101	(1)	55-701-241-GG	Pump casing	RW6111-V/C/A, ANSI 150	-	2176	GG 25
112	1	55-709-325	Plug	G 3/8	910		CuZn 40
114	1	55-713-175	Seal ring	A 17x23x1.5	-		Cu
118	1	55-751-122	O-ring	345x 5.00	-		NBR
124	7	55-754-149	Hexagon socket screw	M16x 45	912		AISI 304
140	1	55-708-377-NG	Impeller	RW6141/6111 dia 360	-	1457A	GGG 40

141	1	55-713-160-RZ	Impeller hubcap	Ø44x13.5x8	-		AISI 316
145	1	55-754-203	Hex. sock. screw counter sunk.	M12x 55	7991		AISI 316

Supplement transportation bracket installation -F, T and V

222	1	55-710-480-ST	Transportation bracket	RT60/ RW61, kleine kabelk.	-	1960	Fe 360
223	2	55-754-099	Hexagon socket screw	M12x 30	912		AISI 304

Supplement installation -F

200	1	55-710-316-NG	Suspension bracket	V mh300	-	1960	GGG 40
201	4	55-754-111	Hexagon socket screw	M12x 40	912		AISI 304
203	1	55-912-062	Shackle	16mm	-		AISI 316
210	1	55-712-226-ST	Hose connection	3"-NW80-90gr.	-		Fe galv.
210	(1)	55-712-225-ST	Hose connection	4"-90gr.	-		Fe galv.
210	(1)	55-712-227-ST	Thread connection	G 3"-90°-Bu NW80	-		Fe 360
210	(1)	55-712-228-ST	Thread connection	NPT 3"-90gr.	-		Fe 360
211	8	55-753-054	Hexagon-head bolt	M16x 60	931		AISI 304
213	8	55-755-086	Nut	M16	934		AISI 304
214	8	55-758-084	Washer	(M16)	125		AISI 304
218	1	55-761-068	Gasket	NW 65-PN40	-		CR
230	1	55-715-080-ST	Support ring	Ø165	-		Fe galv.
231	4	55-754-099	Hexagon socket screw	M12x 30	912		AISI 304

Supplement installation -V

200	1	55-710-316-NG	Suspension bracket	V mh300	-	1960	GGG 40
201	4	55-754-111	Hexagon socket screw	M12x 40	912		AISI 304
203	1	55-912-062	Shackle	16mm	-		AISI 316
211	8	55-753-144	Stud bolt	M16x 40	938		AISI 304
213	8	55-755-086	Nut	M16	934		AISI 304
214	8	55-758-084	Washer	(M16)	125		AISI 304
218	1	55-761-068	Gasket	NW 65-PN40	-		CR

Auxiliary cable

35	1	55-709-147	Cable	4x2.5mm2 Ø13.0- Ø15.0	-		Ozoflex
36	1	55-709-016-RZ	Cable entry	G 7/8"	-	2221	AISI 316
38	1	55-709-028	Cable sleeve	27.5x14x23	-		CR
39	2	55-709-125	Pressing ring	27.5x15x4	-		CuZn 40
48	3	55-759-021	Cable connector	(2.5mm2)	-		

Cable list YD 380V 50Hz

35	2	55-709-150	Cable	4x16mm2 Ø26.1- Ø28.5	-		Ozoflex
36	2	55-709-274-RZ	Cable entry	M42x1.5	-	2191	AISI 316
37	2	55-709-299-RZ	Clamp	Ø26-32	-	2194	AISI 316
38	2	55-709-413	Cable sleeve	39x25.5x27	-		CR
38	(2)	55-709-281	Cable sleeve	39x28.5x27	-		CR

39	4	55-709-242	Pressing ring	38.5x29x3.5	-		AISI 316
45	4	55-754-077	Hexagon socket screw	M 8x 20	912		AISI 304
48	6	55-759-074	Cable connector	(16mm ²)	-		

Cable list YD 415V 50Hz

35	2	55-709-136	Cable	4x10mm ² Ø23.3- Ø24.0	-		Ozoflex
36	2	55-709-274-RZ	Cable entry	M42x1.5	-	2191	AISI 316
37	2	55-709-276-RZ	Clamp	Ø20-25	-	2192	AISI 316
38	2	55-709-295	Cable sleeve	39x23.5x24	-		CR
39	4	55-709-285	Pressing ring	38.5x24x3.5	-		AISI 316
45	4	55-754-077	Hexagon socket screw	M 8x 20	912		AISI 304
48	6	55-759-078	Cable connector	(10mm ²)	-		

Option: rotorshaft with AISI 316 shaftend

4	1	55-703-344-RZ	Rotor	48 kW-2	-	030-3170280J	AISI 431/AISI 316
---	---	---------------	-------	---------	---	--------------	-------------------

Optional viton seals

13	1	55-706-324	Mechanical seal	Ø50	-		SiC/ceramic/FPM
84	1	55-756-127	Seal ring	(M 8)	-		PTFE
85	2	55-756-128	Seal ring	(M10)	-		PTFE
63	1	55-751-223	O-ring	125.0x 4.0	-		FPM
61	1	55-751-224	O-ring	297.8x 6.99	-		FPM
62	1	55-751-225	O-ring	280x 5.00	-		FPM
118	1	55-751-215	O-ring	340x 5.00	-		FPM
218	1	55-761-060	Gasket	Ø140xØ105x2	-		FPM

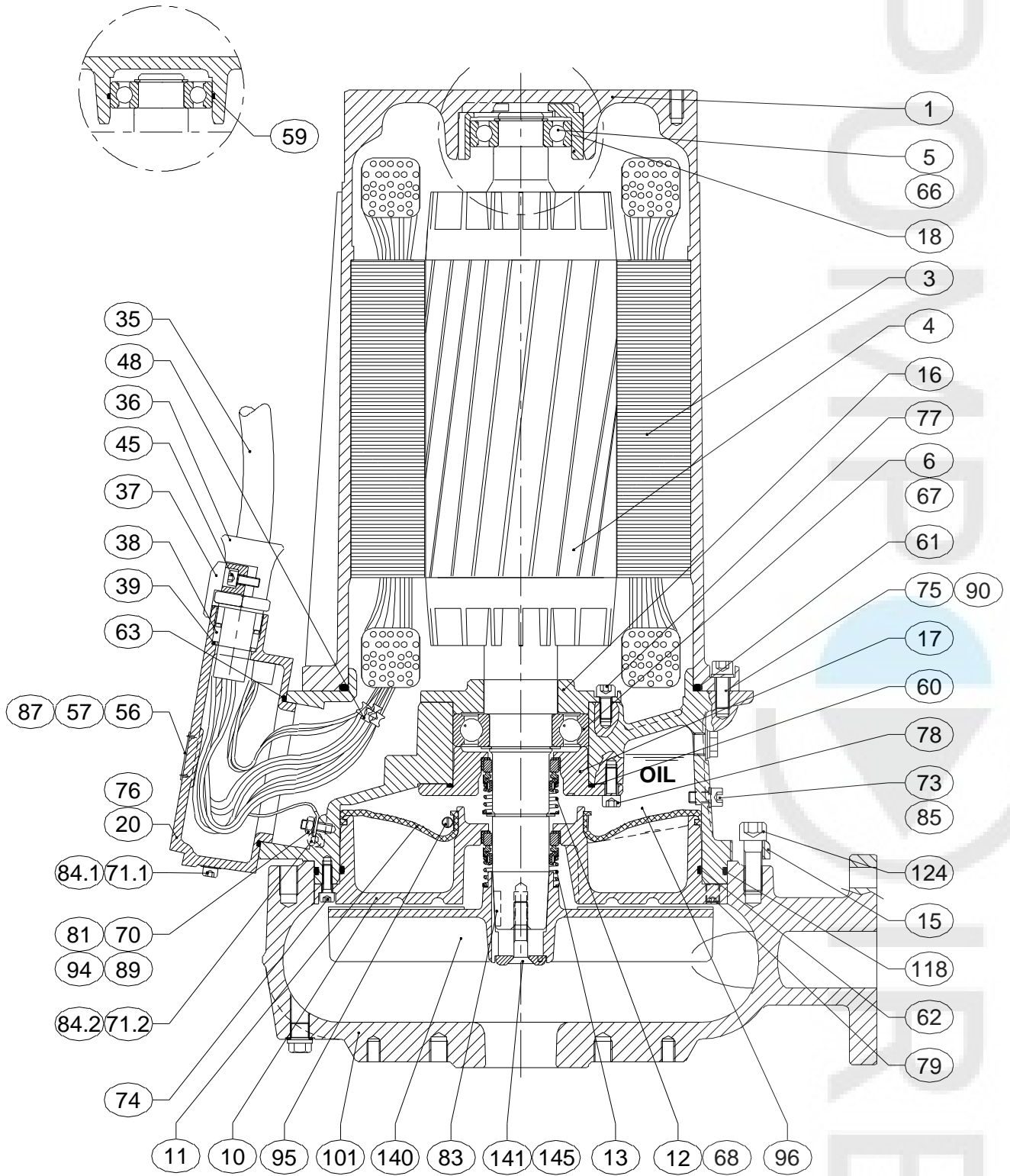
Option: impeller in special material

140	1	55-708-424-RZ	Impeller	RW6141/6111	-	2161	AISI 316
140	1	55-708-424-BN	Impeller	RW6141/6111	-	2161	GGG 80 HA
140	1	55-708-424-BR	Impeller	RW6141/6111	-	2161	G-CuSn 10

Option: waterdetector

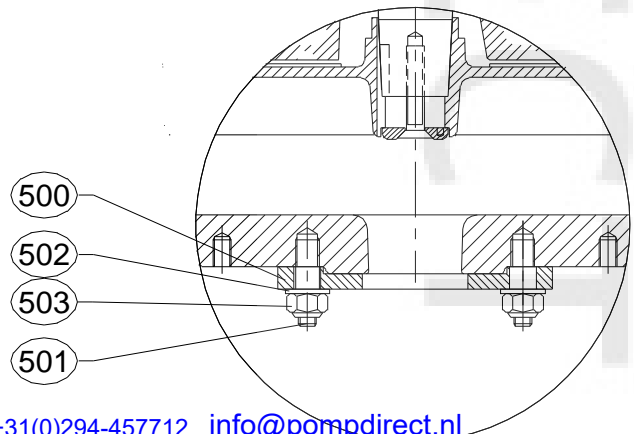
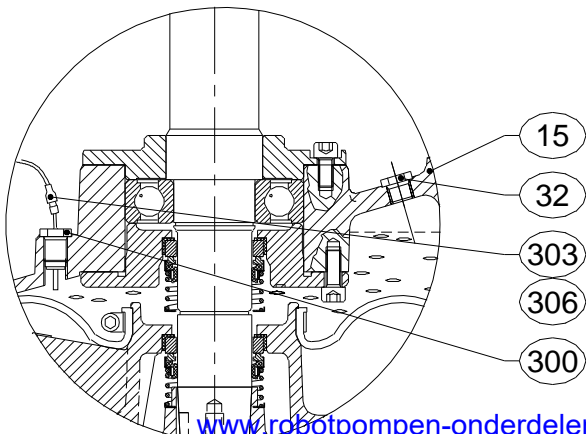
15	1	55-707-186-GG-W	Bearing housing	Ø120	-	2094	GG 25
32	1	55-756-144	Plug	M16x 1 1/2	910		CuZn 40
32	1	55-717-087	Plug	M15x 1 1/2	7604		
300	1	55-717-122	Water detector	M16x1.5	-		
300	1	55-717-031	Line bushing	M15x 1 1/2	-		
301	1	55-717-068	Detector		-		
303	1	55-759-083	Wire clamp	(2.5mm ²)	-		
306	1	55-759-105	Contact lip	(2.5mm ²)	-		

Parts list drawing

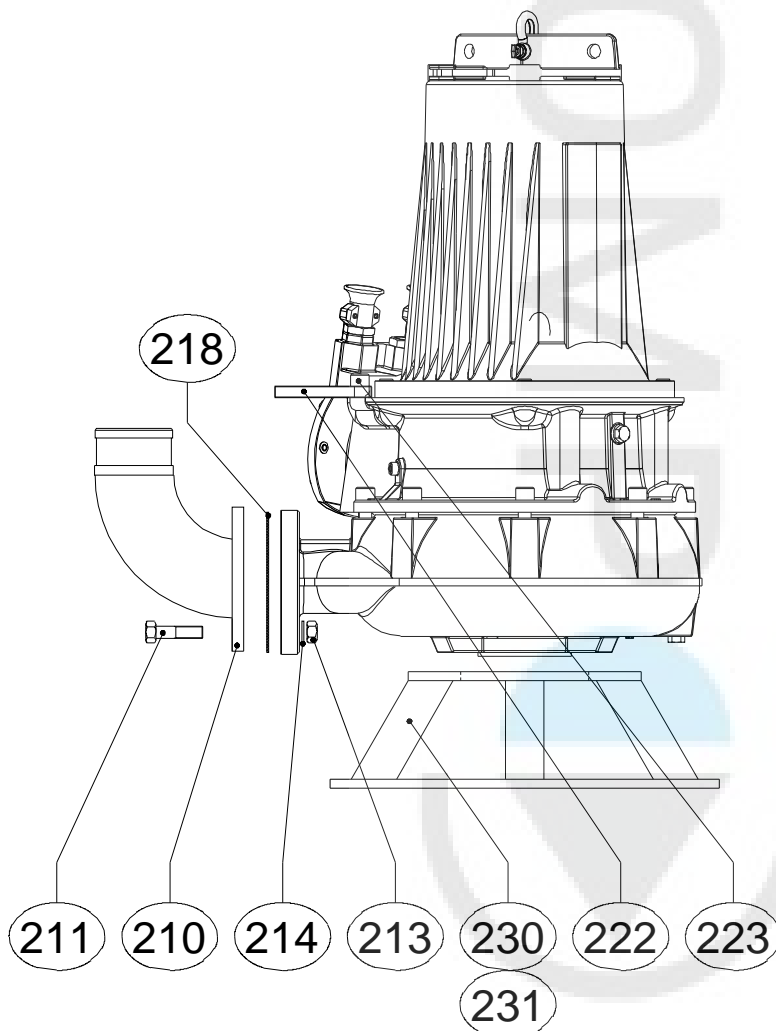


Option: waterdetector

Option: zinc anode



Installation-F



Installation-V

